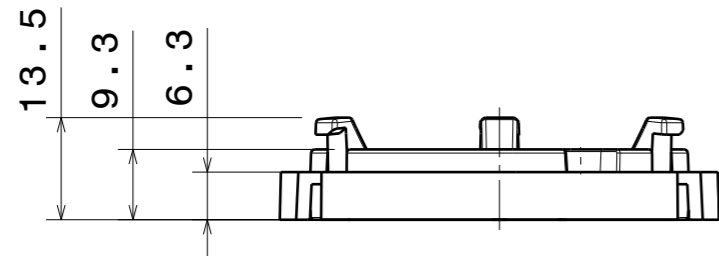
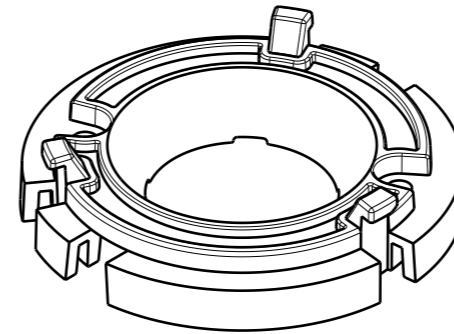


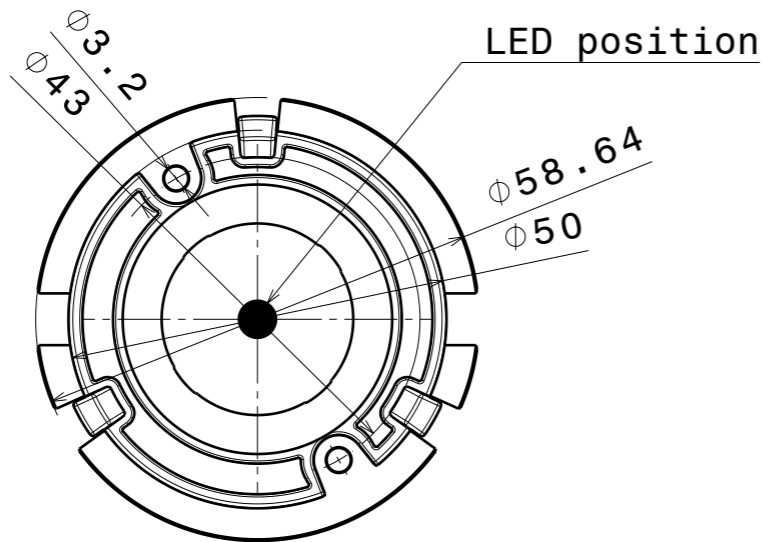
H G F E D C B A



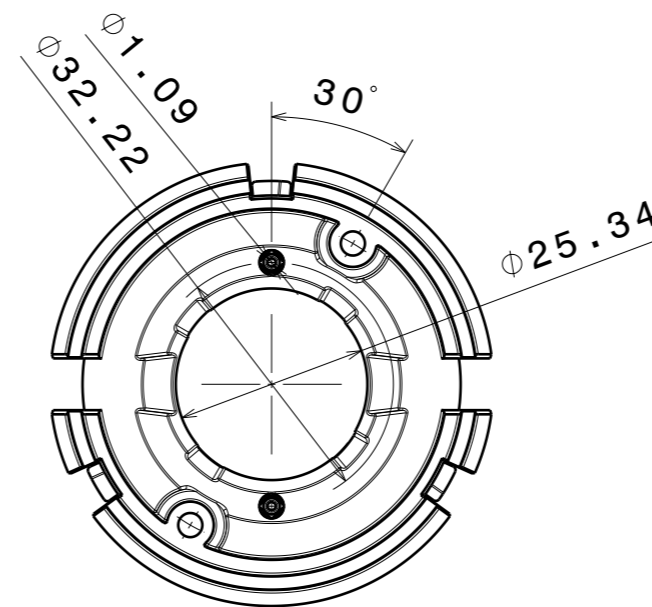
Front view



Isometric view



Top View



Bottom view

INDEX	PART NO	DESCRIPTION	MATERIAL	COLOUR
1	C12962	LENA-STD-BASE-CLL040	PC	white

Tolerances if not otherwise shown  
 According to DIN ISO 2768-1  
 Linear measures: class C  
 According to DIN ISO 2768-2  
 Form and position: class L

**LEDiL** LediL Oy  
 Salorankatu 10  
 FIN 24240 SALO  
 Finland

THIRD ANGLE PROJECTION:

DRAWING TITLE  
**C12692\_LENA-STD-BASE-CLL040**

This drawing is the property of LEDiL Oy. It may not be reproduced, copied or communicated without a written agreement with LEDiL Oy.

SIZE PART NUMBER  
**A3 C12692**

SCALE 1:1 WEIGHT 9,57 g SHEET 1/1

H G B A